

Technical Specification

<i>P/N:DS-18200</i>	
Frequency Range(GHz)	0.18 - 2.0
Gain(dBi)	6 Typ.
Polarization	Linear
3dB Beamwidth(deg)	E Plane: 70 - 39
	H Plane: 143 - 108
VSWR	2.0:1 Typ. / 3.0:1 Max.
Output	N-Female
Average Power(W CW)	300 (200 @ 2.0GHz)
Peak Power(KW)	3
Material	Al
Size(mm)	856.6 x 53.1 x 745.3
Net Weight(Kg)	0.90 Around

<i>P/N:DS-18200C</i>	
Frequency Range(GHz)	0.18 - 2.0
Gain(dBi)	6 Typ.
Polarization	Linear
3dB Beamwidth(deg)	E Plane: 70 - 39
	H Plane: 143 - 108
VSWR	2.0:1 Typ. / 3.0:1 Max.
Output	N-Female
Average Power(W CW)	300 (200 @ 2.0GHz)
Peak Power(KW)	3
Material	Al
Size(mm)	856.6 x 80 x 737.4
Net Weight(Kg)	1.00 Around

<i>P/N:DS-18200E</i>	
Frequency Range(GHz)	0.18 - 2.0
Gain(dBi)	6 Typ.
Polarization	Linear
3dB Beamwidth(deg)	E Plane: 70 - 39
	H Plane: 143 - 108
VSWR	2.0:1 Typ. / 3.0:1 Max.
Output	N-Female
Average Power(W CW)	300 (200 @ 2.0GHz)
Peak Power(KW)	3
Material	Al
Size(mm)	856.6 x 52 x 979
Net Weight(Kg)	1.35 Around

AINFO Inc.

Page 1 of 7

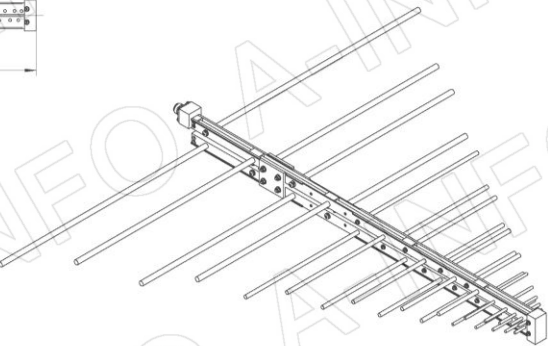
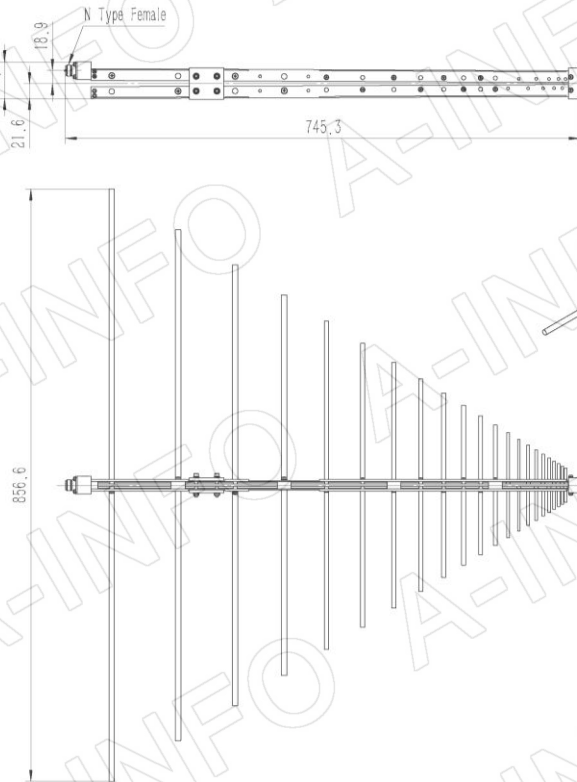
 China(Beijing): Tel: (+86) 10-6266-7326,
 China(Chengdu): Tel: (+86) 28-8519-2786,
 USA: Tel: (+1) 949-639-9688,

 (+86) 10-6266-7327 Fax: (+86) 10-6266-7379
 (+86) 28-8519-3044 Fax: (+86) 28-8519-3068
 (+1) 949-639-9608 Fax: (+1) 949-639-9670

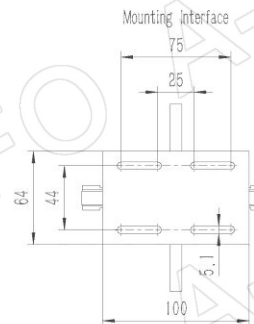
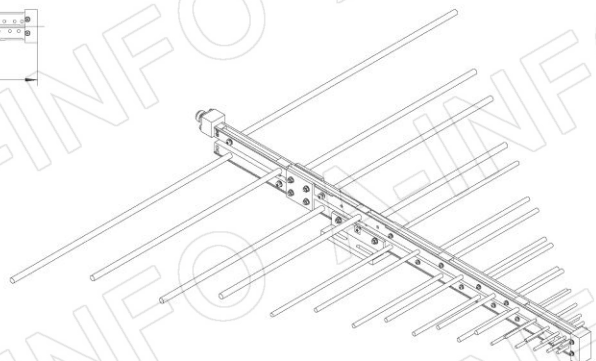
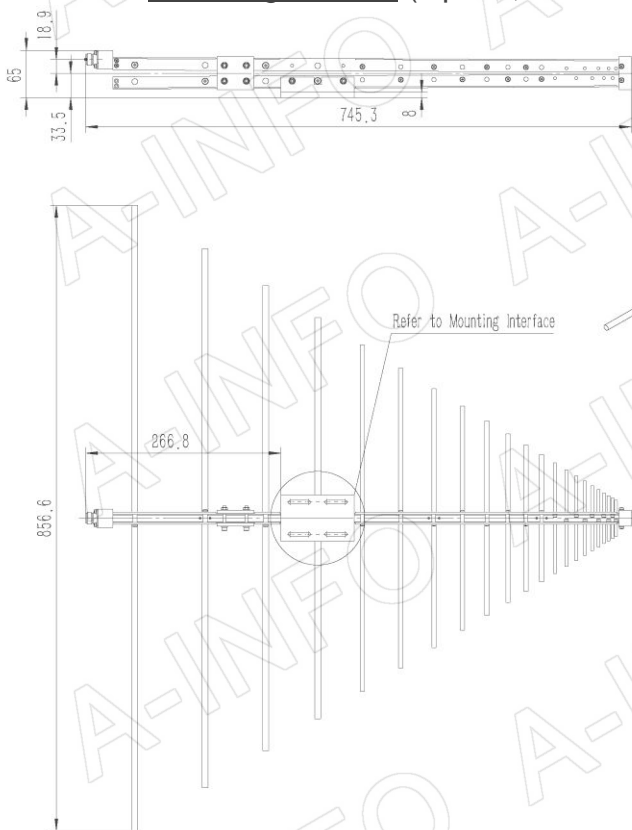
 Website: www.ainfoinc.com
 Email: sales@ainfoinc.com

Outline Drawing (Size: mm)

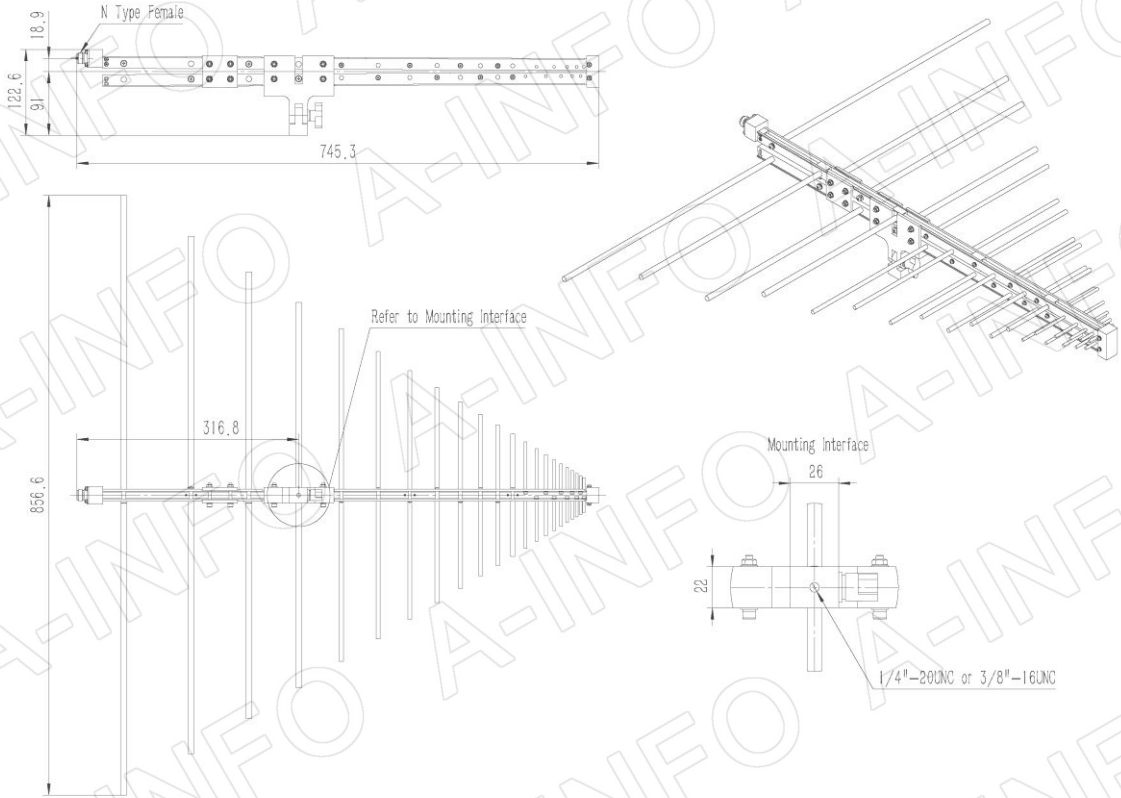
DS-18200 (P/N: DS-18200)



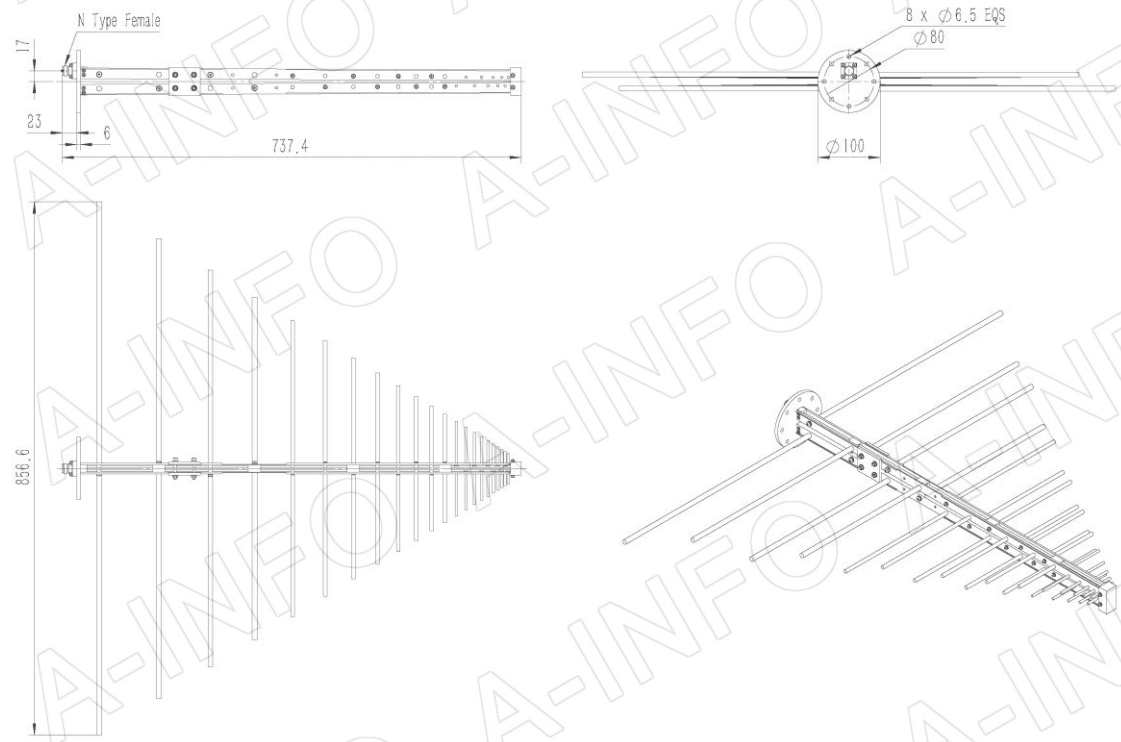
DS-18200 with Mounting Bracket (Option, P/N: DS-20200-MB)



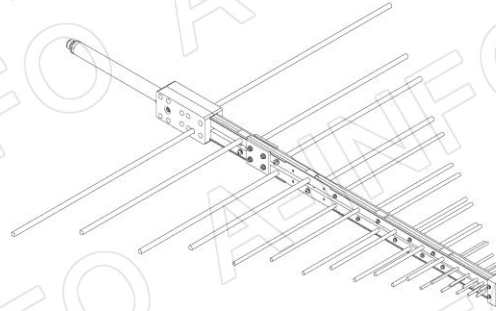
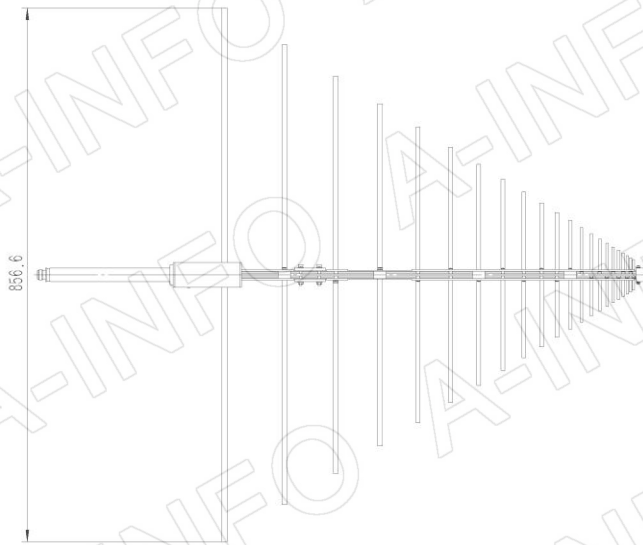
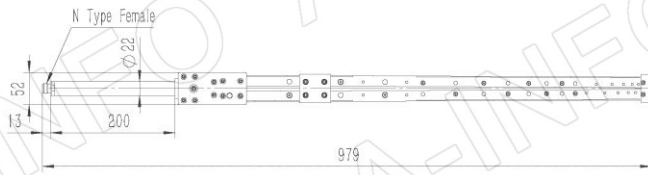
DS-18200 with Mounting Bracket for Tripod Application (Option, P/N: DS-20200-MBA)



DS-18200C (P/N: DS-18200C)



DS-18200E (P/N: DS-18200E)



AINFO Inc.

Page 4 of 7

China(Beijing):
China(Chengdu):
USA :

Tel: (+86) 10-6266-7326,
Tel: (+86) 28-8519-2786,
Tel: (+1) 949-639-9688,

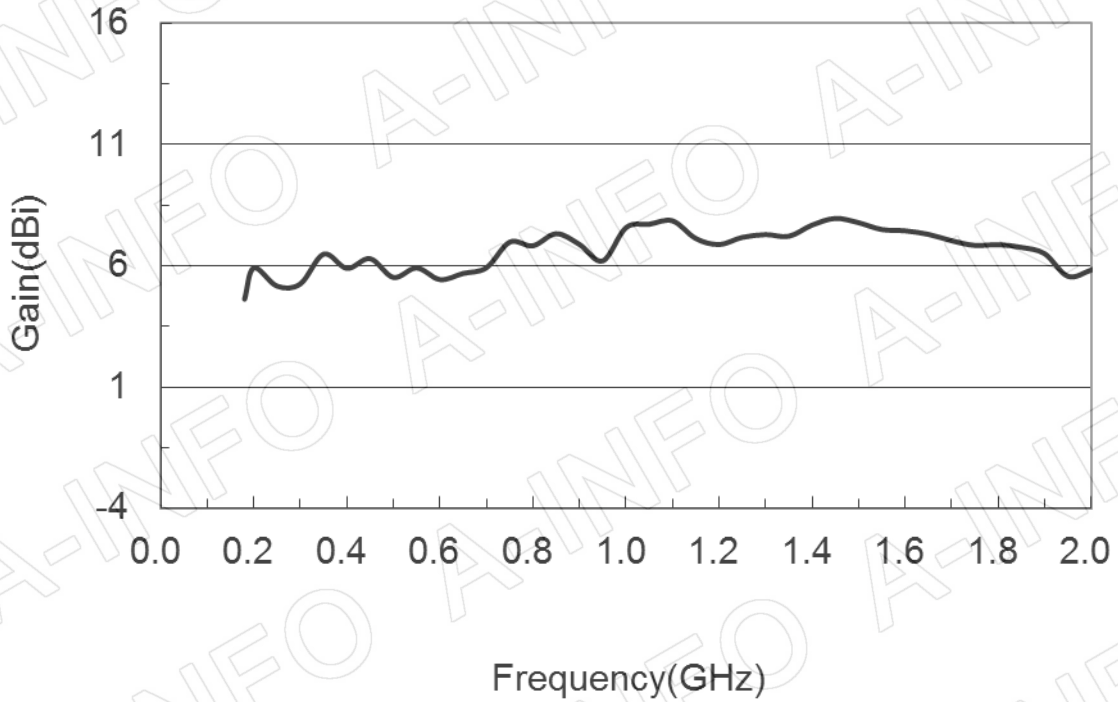
(+86) 10-6266-7327
(+86) 28-8519-3044
(+1) 949-639-9608

Fax: (+86) 10-6266-7379
Fax: (+86) 28-8519-3068
Fax: (+1) 949-639-9670

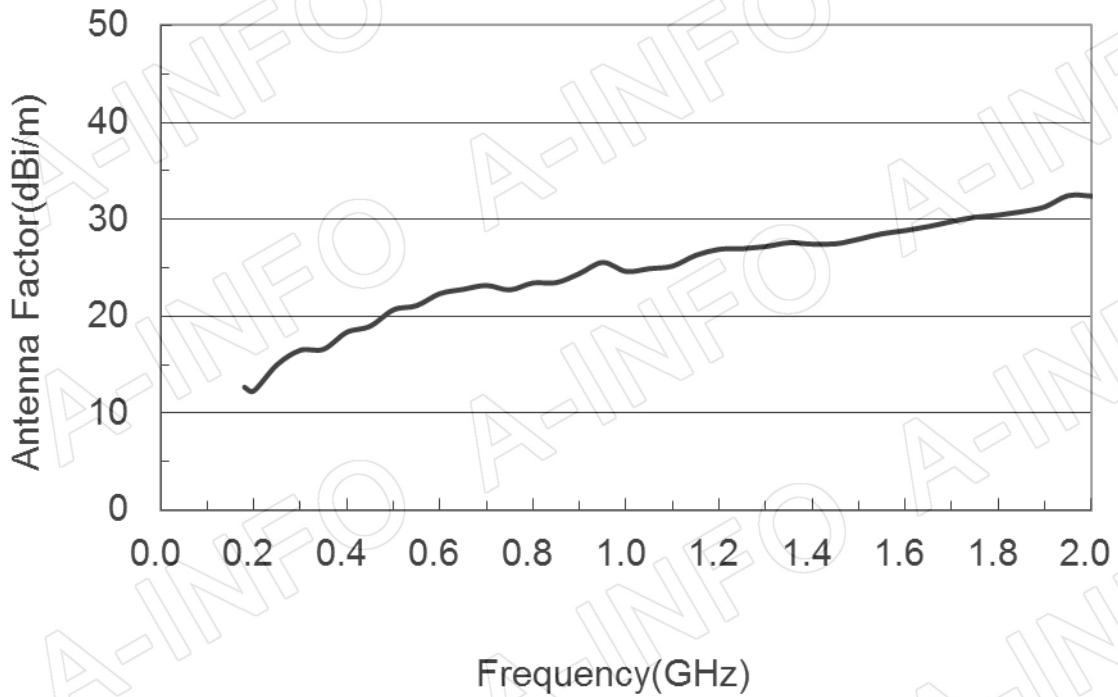
Website: www.ainfoinc.com
Email: sales@ainfoinc.com

Test Results

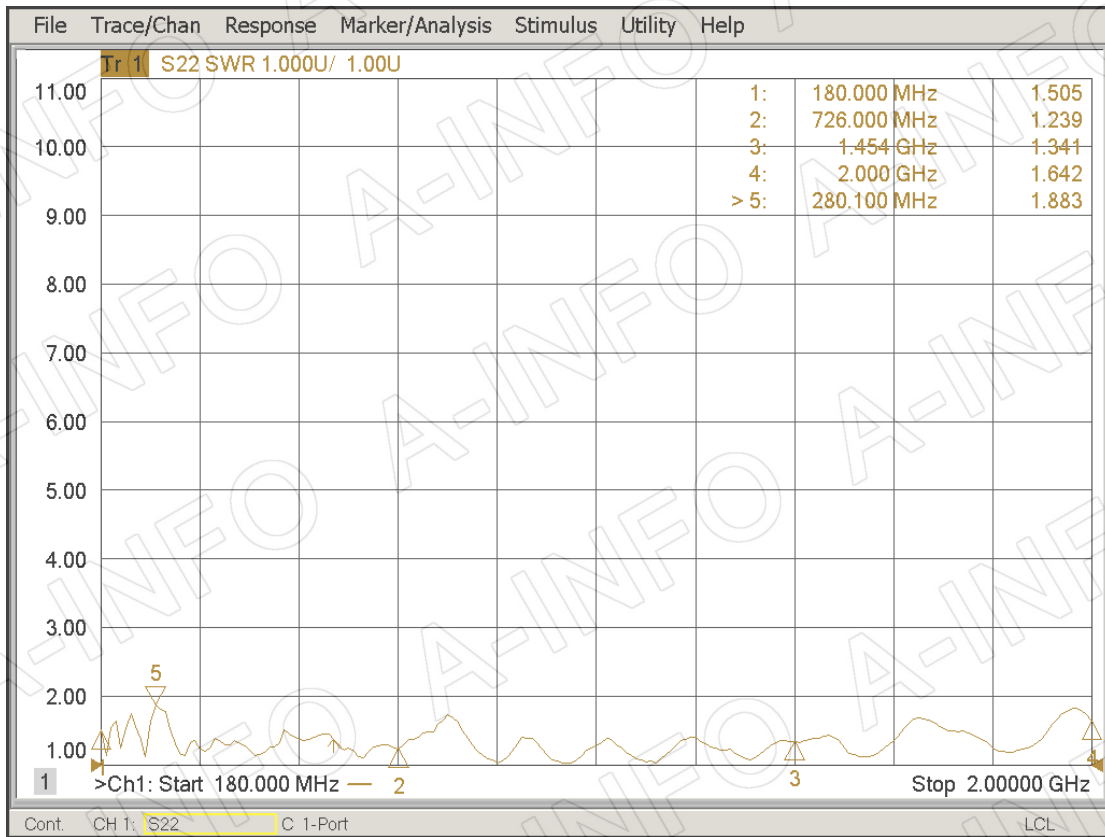
1. Gain



2. Antenna Factor



3. VSWR



4. Pattern

